



400 Series

403C-07

Compact Industrial and Construction Power

12.2 kW/16.4 bhp @ 2800 rev/min
 13.2 kW/17.7 bhp @ 3000 rev/min
 15.3 kW/20.5 bhp @ 3600 rev/min



The Perkins 400 Series range has been developed in consultation with our marketplace. This 0.7 litre, 3 cylinder engine significantly enhances an already impressive product line-up. It offers all the benefits of the 400 Series range in an ultra-compact, lightweight power unit.

Ultra-compact power

- Up to 15.3 kW from an engine envelope of 0.08 m³
- Easy installation even in the smallest of machines

Clean and quiet

- Noise levels have been kept to a minimum
- Subjective harshness has been carefully controlled making the engine sound even quieter

Durable power

- Product design and process improvements enhance both engine reliability and durability
- A new governor, valve seat inserts, and new compliance testing deliver reliability with 6000 hours durability
- A standard 2 year warranty demonstrates our confidence in durability and reliability

Low operating costs

- Oil and filter changes are now set at 500 hours as standard
- Engine durability and reliability, the warranty offering, and ease of installation combine to drive down the cost of ownership

Product support

- Total worldwide service is provided through 4000 service points around the world

The 400 Series engine family continues to set new standards in the compact engine market. Developed alongside customers to fulfil their needs in the construction, materials handling, agricultural/turf, genset and compressor markets, it has become another class leading diesel range from Perkins.

Built to the most demanding standards, the 400 Series engines meet all the requirements of EC Stage 2 and USA EPA Tier 2 off-highway emissions legislation for 2004, and bring significant improvements over their predecessors.

Long 500 hour service intervals, a two year standard warranty, low noise and harshness, and a wide range of options make the 400 Series range the complete solution for compact power needs.

The 403C-07 is a new 3 cylinder 0.7 litre unit delivering impressive performance, with low operating costs, in an ultra compact efficient package, ideally suited for a wide range of small off-highway applications.

Performance Data	2800 rev/min		3000 rev/min		3600 rev/min	
	Gross Intermittent	Speed (rev/min)	Gross Intermittent	Speed (rev/min)	Gross Intermittent	Speed (rev/min)
Power Output (kW)	12.2	2800	13.2	3000	15.3	3600
Power Output (bhp)	16.4	2800	17.7	3000	20.5	3600
Peak Torque (Nm)	44.5	2000	44.5	2000	50.5	2400
Peak Torque (lbf ft)	32.8	2000	32.8	2000	37.2	2400

400 Series

403C-07

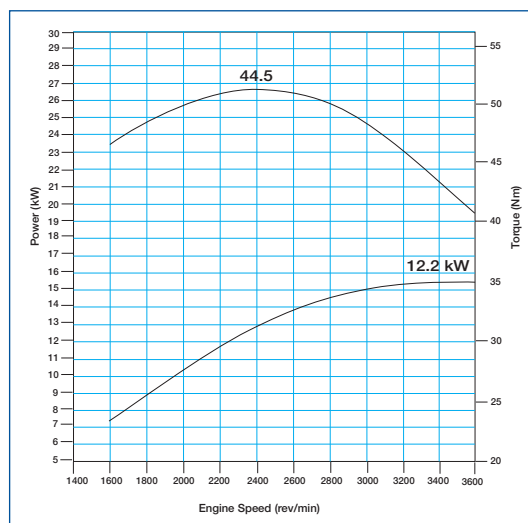
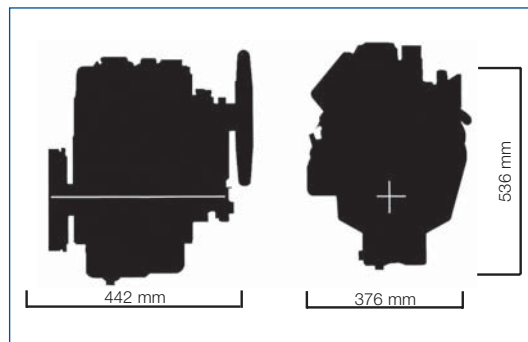
Engine Specification

- Cast iron engine block
- Flywheel and flywheel housing
- Fuel injection pump
- Spin on fuel filter
- Glow plug starting aid
- Lub oil sump
- Spin on lub oil filter
- Inlet manifold
- Cast iron exhaust manifold – side outlet
- Closed Circuit Breather
- Coolant pump belt driven
- Starter motor 12 volt
- Alternator 12 volt 14 amp
- ESOS
- Lub oil pressure switch
- Coolant temperature switch
- Choice of coolant fans
- Cold start capability to -20°C
- Gradeability 35° continuous

General Data

Number of cylinders	3 in-line
Bore and stroke	67 x 72 mm
Displacement	0.76 litres
Aspiration	Naturally aspirated
Cycle	4 stroke
Combustion system	Indirect injection
Compression ratio	23.5:1
Rotation	Anti-clockwise viewed on flywheel
Cooling system	Pressurised water
Total lubrication capacity	3.05 litres
Total coolant capacity	1.2 litres
Dimensions	Length 442 mm Width 376 mm Height 536 mm
Dry weight	72 kg

Final weight and dimensions will depend on completed specification.



Option Groups

A selection of optional items is available to enable the customer to prepare a specification precisely matched to their needs.



Perkins Engines Company Limited

Peterborough PE1 5NA
United Kingdom
Telephone +44 (0)1733 583000
Fax +44 (0)1733 582240
www.perkins.com

All information in this document is substantially correct at time of printing and may be altered subsequently
Publication No. 1775/10/05 Produced in England ©2005 Perkins Engines Company Limited

Distributed by